

# m/v TRAVETAL



## Particulars

Name: Travetal  
Call sign: 5BCT2  
IMO Nr: 9471991  
Flag: Cyprus  
Home port: Limassol  
Built: 2008 Rong Cheng Shipbuilding  
Class: DNVGL  
Ice Class: 1B  
P&I: Alandia

## Measurements

GT: 2984  
NT: 1769  
DWT: 4188 t / 4057 t  
DWCC: 3920 t summer / 3800 t winter

## Main dimensions

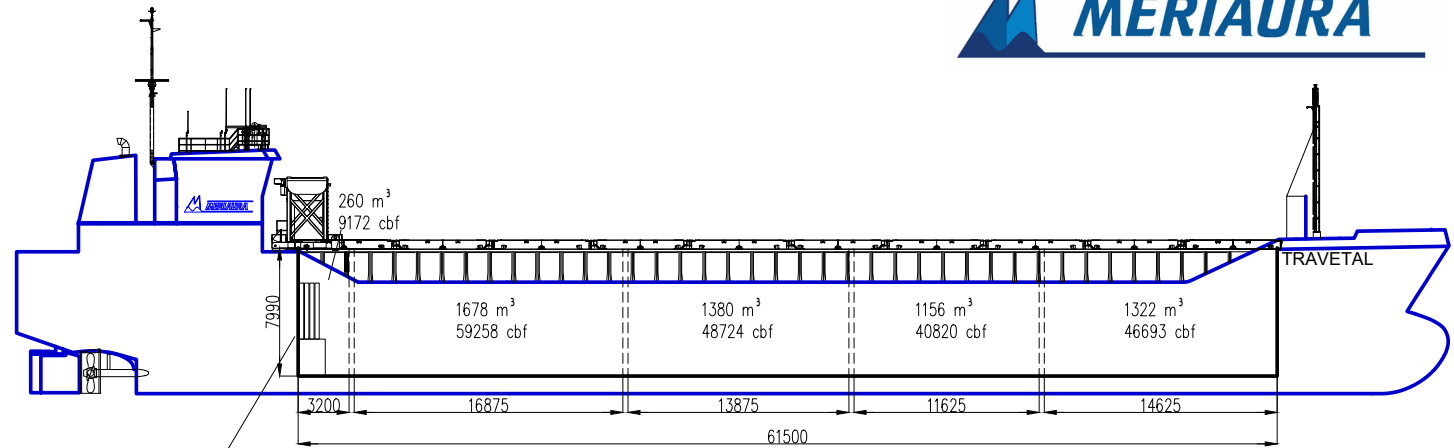
LOA 89,98 m  
Breadth: 15,2 m  
Mld Depth: 6,6 m  
Draught: 5,1 m  
Draught ballast: 3,00 m  
Air draught: 21,0 m (in ballast)  
Waterline to hatch: 6,40 m (in ballast conditions)

## Cargo hold

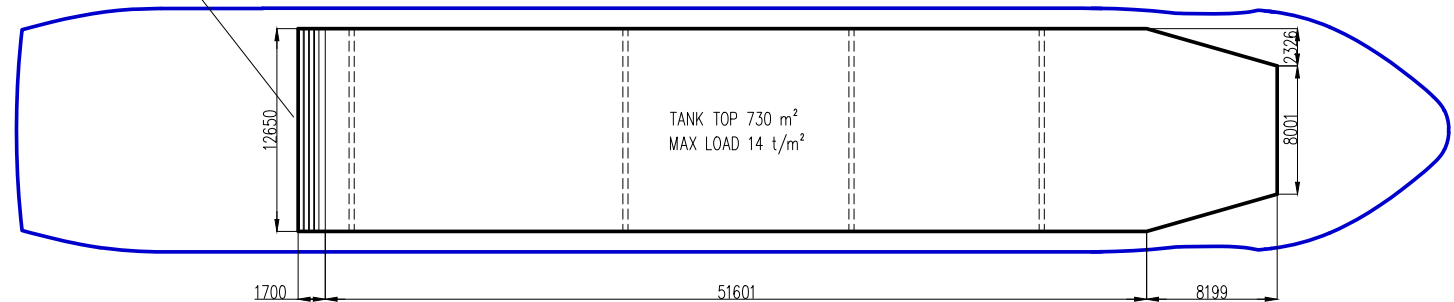
Dimensions: 61,5 x 12,65 x 7,99 m  
Grain: 211.000 cbft, 5975 m<sup>3</sup>  
Timber cap: Hold 5700m<sup>3</sup> deck 1550 m<sup>3</sup>  
Tank top: 15 t/m<sup>2</sup>  
Hatch: 1,6 t/m<sup>2</sup>  
Bulkheads: 2  
Cement holes: ---

## Propulsion

Main Engine: Yanmar 6EY26  
ME Output: 1800 kW  
Bowthruster: Yes, 315 kW  
Speed: 10 kn



Grain bulkhead 1700mm  
Storage position



## Ship's contacts

Tel/GSM +358 40 670 6121  
E-mail master.travetal@speedmailplus.com

## TC Owner

Meriaura Ltd.  
Linnankatu 88, FIN-20100 TURKU

tel. +358 2 2111 600  
Operations operations@meriaura.fi  
Chartering chartering@meriaura.fi



All measurements in meters, not necessarily in scale. All details believed to be correct, but w.o.g.